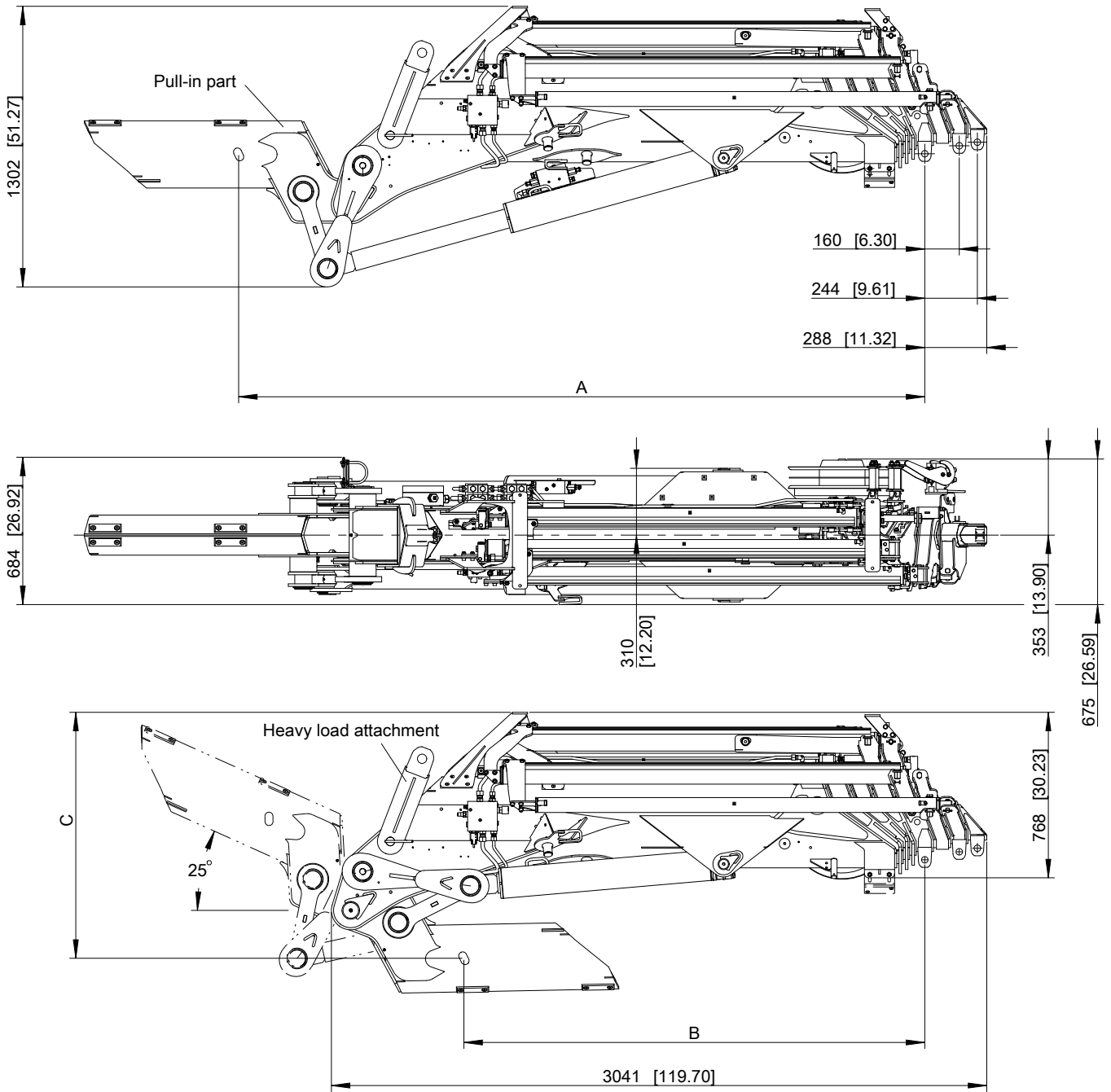


Subject to change, production tolerances have to be taken into account.



Pull-in part	A	B	C	Pull-in part	A	B	C
J302E01SA	3163 mm [124.53"]	2161 mm [85.08"]	1134 mm [44.65"]	J302E20SA	3183 mm [125.31"]	2137 mm [84.13"]	1116 mm [43.94"]
J302E03SA	3136 mm [123.46"]	2188 mm [86.14"]	1154 mm [45.43"]	J302E21SA	3108 mm [122.36"]	2216 mm [87.24"]	1124 mm [44.25"]
J302E04SA	3127 mm [123.11"]	2187 mm [86.10"]	1139 mm [44.84"]	J302E24SA	3170 mm [124.80"]	2151 mm [84.69"]	1134 mm [44.65"]
J302E05SA	3195 mm [125.79"]	2129 mm [83.82"]	1143 mm [45.00"]	J302E25SA	3234 mm [127.32"]	2088 mm [82.20"]	1109 mm [43.66"]
J302E06SA	3314 mm [130.47"]	2010 mm [79.13"]	1132 mm [44.57"]	J302E26SA	3223 mm [126.89"]	2090 mm [82.28"]	1131 mm [44.53"]
J302E09SA	3141 mm [123.66"]	2180 mm [85.83"]	1171 mm [46.10"]	J302E28SA	3206 mm [126.22"]	2121 mm [83.50"]	1160 mm [45.67"]